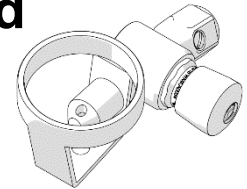


Ezy-Drink® CP-BS Lead Safe™ 45° Push Button Drinking Bubbler Tap FI w/ Metal Mouthguard

PRODUCT CODE:

- 170.52.13.01



SPECIFICATIONS

- Drinking taps are designed to operate at full mains pressure.
- Adjustable built-in flow restrictor.
- Made from Lead Safe™ DR Brass*

IMPORTANT: All Ezy-Drink® Bubbler taps are tested in accordance with AS/NZS 3718 and leave our premises in good working order.

*Our Lead Safe™ product range is compliant with the Lead Free Requirements of the NCC 2022 Vol. Three, Clause A5G4(2) and NSF/ANSI 372.

WARNINGS: Special attention to be paid on notes, photos, images, or drawings of assembly steps marked with the warning symbol.



TECHNICAL DATA

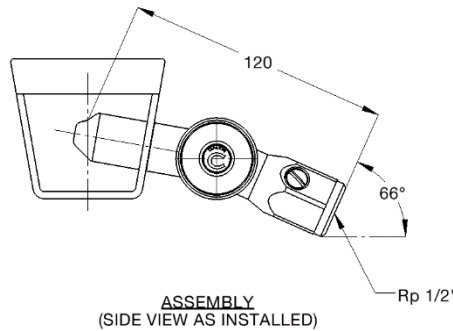
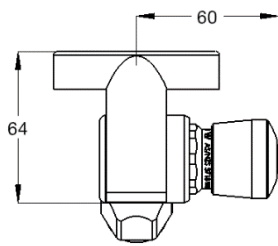
Inlet	Rp 1/2"	
Outlet	Metal Mouthguard	
Headwork	Push Button	
Working Pressure Range (kPa)	Min	50
	Max	500
Working Temperature Range (°C)	Min	5
	Max	60
Nominal Flow Rate (LPM)	1.7	
Finish	Chrome	

NOTE: Galvin Engineering continually strive to improve their products. Specifications may change without notice.

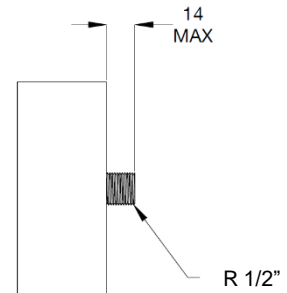
TOOLS REQUIRED

- Spanner or adjustable crescent
- Screwdriver

PRE-INSTALLATION - DIMENSIONS



ASSEMBLY
(SIDE VIEW AS INSTALLED)

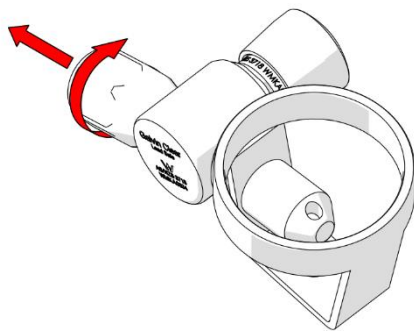


Wall Spud Dimensions

⚠ Note: Before installation, all lines must be flushed. We recommend that a line strainer be installed prior to drinking taps to eliminate any foreign material.

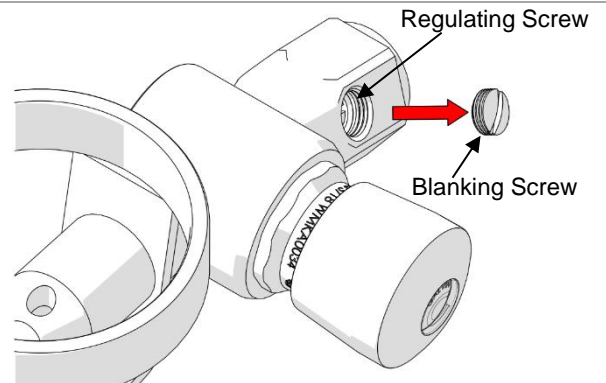
INSTALLATION

IMPORTANT: Galvin Engineering products must be installed in accordance with these installation instructions and in accordance with AS/NZS 3500, the PCA and your local regulatory requirements. Water and/or electrical supply conditions must also comply to the applicable national and/or state standards. Failing to comply with these provisions shall void the product warranty and may affect the performance of the product.



1. Fit tap assembly

- Fit tap assembly to R 1/2" male connection using thread tape or sealant to seal the inlet. Ensure position is as shown; mouthguard to be facing upward.
- When applying thread tape or sealant at the inlet, ensure the inlet is not obscured. This is to prevent excess thread tape or sealant blocking the flow regulator, affecting the flow of water.



2. Testing

- Once the drinking tap has been installed and tested for leaks, the water height may be adjusted to suit the available pressure.
- To adjust water flow:
 1. Remove the blanking screw
 2. Adjust the water height by turning the regulating screw
 3. Replace blanking screw.

⚠ Note: The full range from minimum flow to maximum flow is only 1/4 turn.

TROUBLESHOOTING		
PROBLEM	CAUSE	RECTIFICATION
Inconsistent flow	Blocked top assembly	Remove top assembly and clean
Water is not flowing from tap	Water is turned off	Turn on water
	Blocked flow restrictor	Remove restrictor and clean
Continuous flow	Top assembly loose or internally obstructed or damaged	Remove top assembly, clean with water and regrease spindle if required
Rate of flow inadequate	The flow regulator screw may not be adjusted correctly	Remove blanking screw and adjust flow regulating screw as described
Button hard to press	The mains pressure might be too high	Reduce to below 500kPa (70PSI). Regrease spindle if required

WARRANTY

Galvin Engineering products are covered under our Manufacturer's Warranty. Galvin Engineering products must be installed in accordance with the installation instructions and in accordance with AS 3500 and NCC Volume Three, relevant Australian Standards and local authorities applicable to product being installed. Water and electrical supply conditions must also comply to the applicable national and/or state standards, failing to comply with these provisions may void the product warranty and affect performance of the product.

Please visit www.galvinengineering.com.au to view the full warranty, our Installation Compliance and Maintenance & Cleaning information as well as any other additional information.